

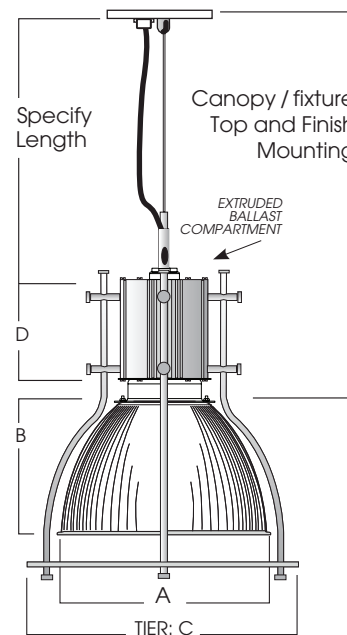
**SPECLUME  
TECH PENDANT  
GLASS REFRACTOR**  
CF / MH

**SL  
SERIES**



**PRODUCT INFORMATION:**

- Tech pendant offers modern style with a variety of lamping options.
- 20 powdercoat colors available.
- Choice of mounting options and mounting systems.
- Damp location listed.
- Manufactured and tested to UL standard No. 1598.



FIXTURE	A	B	C	D
GPX12	12"	8"	15"	7"
GPX16	16"	11"	22"	12"
GPX22	22"	15"	27.5"	12"

MODEL	WATTS	BALLAST	OPTIONS	TIER OPTIONS	MOUNTING	FINISH
<b>GPX12CF</b> - 12" x 8" Compact Fluorescent	<b>1-3 CF Lamps</b> up to <b>42w</b>	<b>EX</b> -Electronic 120/277	<b>FS</b> -Fuse holder and fuse <b>EM</b> -Emergency Ballast (remote)	<b>CFG</b> -Center Frosted Glass Tier <b>FGR</b> -Frosted Glass Ring <b>1MR</b> -Single Metal Ring	<b>HM*</b> -Hang Straight Swivel Fitting <b>CD*</b> -Aircraft Cable, Straight Cord <b>CDCC*</b> -Coil Cord and Cable Mount <b>CD4X*</b> -Cable from each of the 4 Rods	<b>MT</b> -Mini Tek Silver (standard) <b>TW</b> -Texture White <b>BT</b> -Mini Tek Black <b>**</b> -Custom Finish (consult factory)
<b>GPX16CF</b> - 16" x 11" Compact Fluorescent	<b>1-4 CF Lamp</b> up to <b>42w</b>					
<b>GPX22CF</b> - 22" x 10" Compact Fluorescent	<b>1-4 CF Lamp</b> up to <b>42w</b>					
<b>GPX12MH</b> - 12" x 8" Metal Halide	<b>1 MH Lamp</b> up to <b>70w</b>					
<b>GPX16MH</b> - 16" x 11" Metal Halide	<b>1 MH Lamp</b> up to <b>100w</b>					
<b>GPX22MH</b> - 22" x 10" Metal Halide	<b>1 MH Lamp</b> up to <b>400w</b>					
<b>GPX16CF</b>	<b>442</b>	<b>EX</b>	<b>EM/</b>	<b>CFG</b>	<b>HM36</b>	<b>TW</b>

\* Specify Length in inches  
See SpecLume Mounting Page

Dimensions shown are nominal. Spectrum Lighting is continually improving products and reserves the right to make changes that will not alter performance or appearance with or without written notice.



<b>PROJECT:</b>	<b>TYPE:</b>
<b>CAT. NO.:</b>	

